

Mechanical Diaphragm Metering Pumps

MSO Series

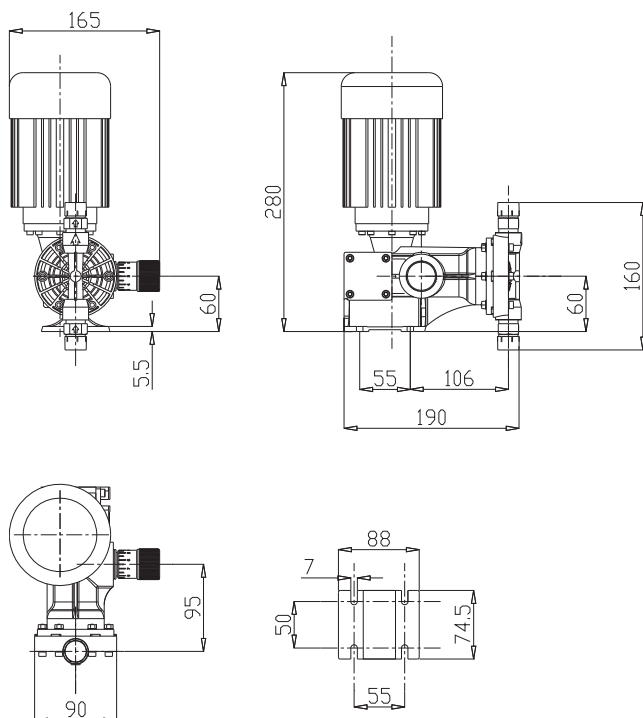
MSO pumps are mechanical diaphragm metering pumps featuring a spring return mechanism in a plastic housing.

FEATURES

Capacity:	from 17 to 47 l/h
Max pressure:	5 bar
Stroke rate:	41 • 58 • 82 • 116 strokes/minute
Diaphragm diameter:	50 mm
Motor:	standard 0,09 kw (IP55)
Stroke length:	2 mm



MODEL	DIAPHRAGM DIAMETER	STROKES/min	FLOW RATE (l/h)	MAX PRESSURE		CONNECTIONS		3phases Motor (kw)
				bar	psi	SS 316	PP	
MSOF050E	50	41	15	5	72,5	1/2 g m	3/4 g m	0,09
MSOF050A		58	20					
MSOF050F		82	30					
MSOF050C		116	42					



M	SO	F	050	A	51	F4	000	LEGEND
								Optional Motor
								Pump Head Materials
								Strokes
								Diaphragm diameter
								Stroke length
								Mechanism Type
								Model

PUMP HEAD MATERIALS

	STANDARD		ON REQUEST
	21	51	31
PUMP HEAD	SS 316	PP	PVC
DIAPHRAGM	PTFE	PTFE	PTFE
VALVES	SS 316	CERAMIC	CERAMIC
VALVE SEATS	SS 316	PVC	PVC

ACCESSORIES

Adjustable safety valves (SS316/PTFE)



MODEL	Flow rate l/h	Pressure (bar)		Connections BSP	CODE
		min	max		
VS1S	250	0	19	1/2" F	VS1S250019
		20	45		VS1S250045
		46	150		VS1S250150
VS2S	650	0	13	3/4" F	VS2S650013
		14	30		VS2S650030
		31	100		VS2S650100

Adjustable safety valves



MODEL (material)	Flow rate l/h	Pressure (bar)		Connections BSP	CODE
		min	max		
PRM-S (SS316)	300	0	5	3/8" F	PRM1S03005
	800			3/4" F	PRM2S08005
	1500			1" F	PRM3S15005
PRM-P (PVC)	300	0	5	3/8" F	PRM1P03005
	800			3/4" F	PRM2P08005
	1500			1" F	PRM3P15005

"Y" Suction filters



MODEL (material)	Connections BSP	CODE
FYP PVC	3/8" F	FYP3240200
	1/2" F	FYP3230040
	3/4" F	FYP3230060
	1" F	FYP3230080
FYS (SS316)	3/8" F	FYS3240098
	1/2" F	FYS3240100
	3/4" F	FYS3240110
	1" F	FYS3240120